

**MecWash**  
nobody washes it better



HIGH PERFORMANCE AQUEOUS  
**COMPONENT CLEANING**  
**MWX300 – MWX400**

EXPERTS IN COMPONENT CLEANING PROCESS, CHEMISTRY & TECHNOLOGY

# PRECISION CLEANING

## OF ENGINEERING COMPONENTS

**SOLVENT FREE • SMALL FOOTPRINT • HIGHLY VERSATILE**  
**ENVIRONMENT FRIENDLY • COMPETITIVE PRICE • ENGINEERED TO LAST**

The MWX range provides the ultimate flexible aqueous component cleaning and degreasing systems. The range can combine ultrasonics with high flow washing, rinsing, dedicated jetting and vacuum drying to provide the highest quality of component cleaning and drying available.

The MWX300 and MWX400 are designed to process complex and intricate machined or pressed parts that require very high standards of cleanliness, surface finish and dryness. This includes the removal of all types of contamination, from soluble and mineral oils to greases, polishing compounds, lapping pastes and dye penetrants.

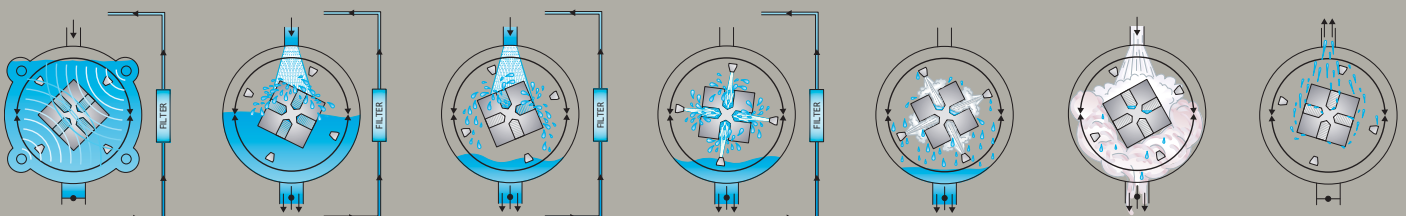


The MWX range's industry leading functionality includes:

- wash and rinse – flood and spray
- six face spray capability, traditional top manifold supplemented by manifolds at the front and rear of the chamber
- high and low pressure flood/spray manifolds allowing flexible wash strategies
- direct jetting system – jets rotating with the component, flushing key apertures (MWX400 only)
- doubled ultrasonic power providing 20 watts/litre in the MWX400 and 30 watts/litre in the MWX300 gross power at 25kHz
- high volume rinse tank enabling full chamber rinse ultrasonics
- encoder controlled rotation enables wash to be focussed on critical features
- hot air and vacuum drying
- Aqua-Save evaporator to optimise solution quality and minimise maintenance

The MWX400 is designed to be a versatile workhorse for precision engineering cleaning challenges – the system's direct jetting is ideal for larger automotive, fluid power and other complex components. The robust design makes the MWX400 equally able to cope with heavy machined castings / engine blocks and large hydraulic manifolds, delivering consistently high cleanliness standards.

The MWX300 is the latest compact system and has been developed with higher power ultrasonics (up to 30 watts/litre), perfect for small, intricate precision components. This, added to its smaller footprint, makes the MWX300 the perfect aqueous cleaning system for the medical and electronics sectors where highly stringent standards are required for cleaning, surface finish and drying.



Ultrasonics

Flood

Spray

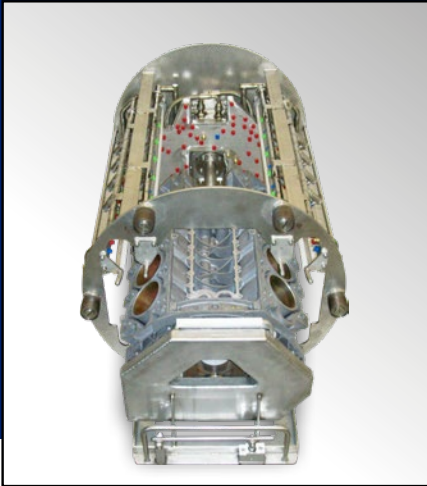
Dedicated Jetting

Purging

Hot Air Dry

Vacuum Drying

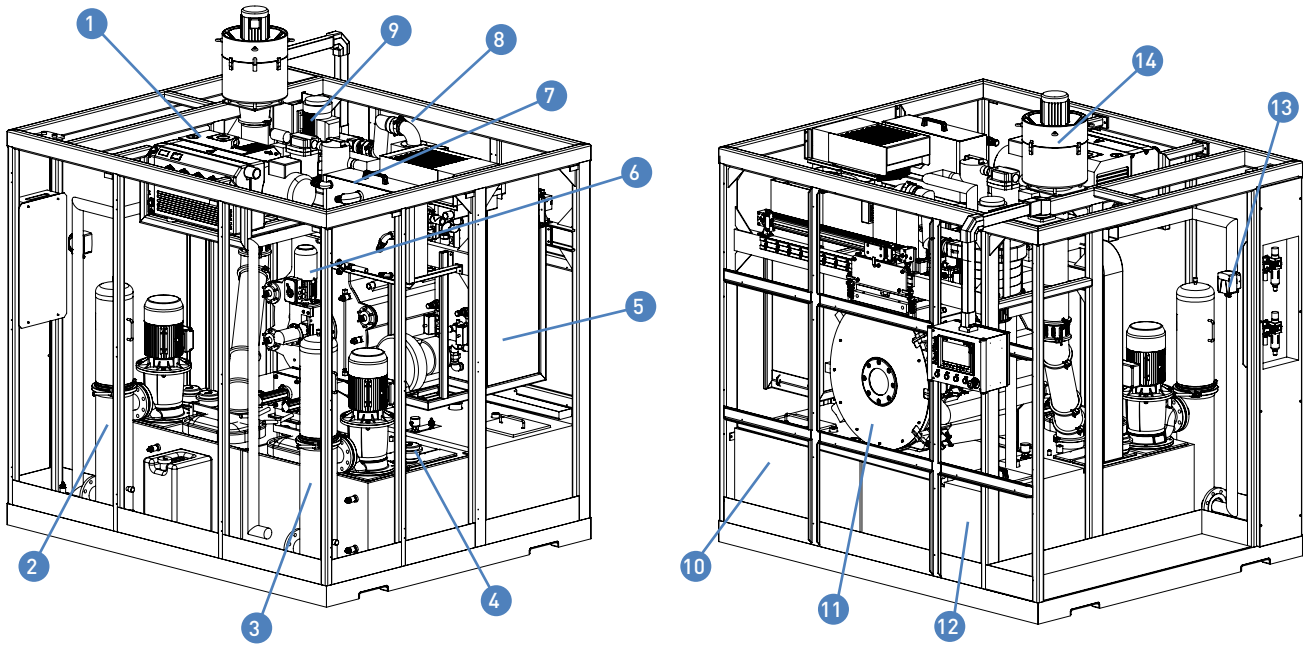




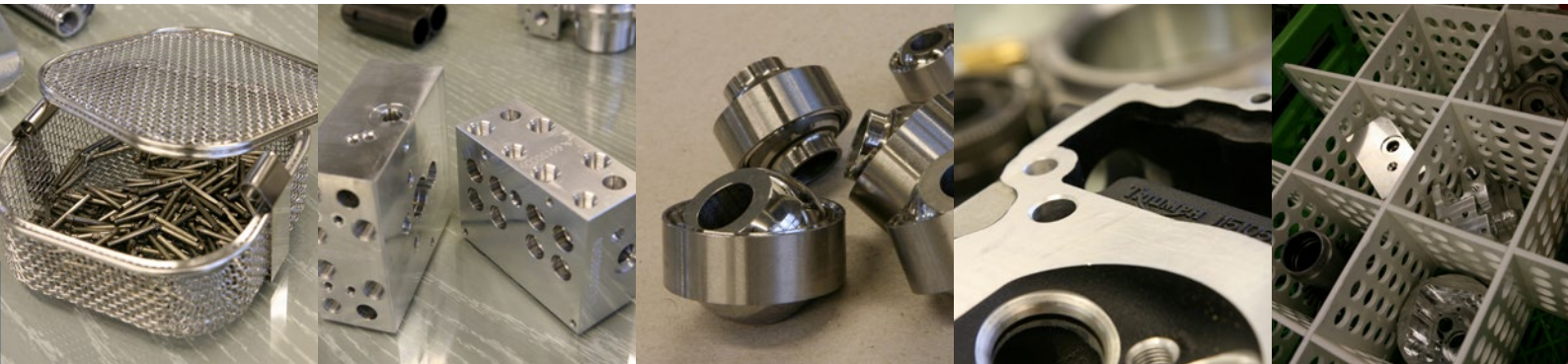
The dedicated jetting option flushes the most complex shapes, targeting blind holes, oilways and galleries.

From basic baskets and manual loading through sliding load pallets and automated conveyors to robotics, the MWX400 integrates easily with any other production layout.

## MWX400



1.	Vacuum Pump	6.	Drive motor	11.	Process Chamber
2.	Wash filter	7.	Oil separator	12.	Wash Tank
3.	Rinse filter	8.	Air heater	13.	Detergent dosing pump
4.	Immersion heater	9.	Air blower	14.	Vapour condensor
5.	Aqua-Save	10.	Rinse Tank		



# MECWASH MWX RANGE – TECHNICAL DETAILS

General specification	MWX300	MWX400
Overall Machine Size (w x d x h)	1400 x 1750 x 2470mm	2500 x 2100 x 2230mm
Machine Unladen Weight	1800kg	2500kg
Wash Chamber Size (w x h x l)	300 x 300 x 400mm	400 x 470 x 650mm - 2000
Maximum Load Weight	50kg	150kg
Load Height	900mm	900mm
Basket Rotation/Oscillation Speed	3 – 10 rpm	3 – 10 rpm
Noise Level	75 dBA	75 dBA
<b>Wash</b>		
Wash Tank Volume	280 litres	650 litres
Wash Pump Rating	1.1kW	3 - 7.5kW
Wash Flow Rate	200 – 250 litres/minute	500 - 600 litres/minute
Wash Pressure	1.5 bar	1 - 5 bar
Wash Tank Heater	12kW	24kW
Maximum Wash Temperature	90°C	90°C
<b>Rinse</b>		
Rinse Tank Volume	280 litres	650 litres
Rinse Pump Rating	1.1kW	3 - 7.5kW
Rinse Flow Rate	200 – 250 litres/minute	500 - 600 litres/minute
Rinse Pressure	1.5 bar	1 - 5 bar
Rinse Tank Heater	12kW	18kW
Maximum Rinse Temperature	90°C	90°C
<b>Drying</b>		
Drying Blower	1.1kW	1.1kW
Blower Flow Rate	200m <sup>3</sup> / hour	360m <sup>3</sup> /hour
Drying Heater	9kW	12kW
Maximum Drying Temperature	120°C	120°C
<b>Vacuum Drying</b>		
Flow	40m <sup>3</sup> / hour	200m <sup>3</sup> /hour
Ultimate Vacuum	c10 mbar	c10 mbar
Motor Size	1.3kW	4kW
<b>Ultrasonic</b>		
25 or 40 kHz	Up to 30W / litre	up to 20W/litre

## Standard Equipment

- Stainless steel process chamber, solution tanks, solution pipework
- High volume heated re-circulating spray/flood wash
- High volume heated re-circulating spray/flood rinse
- Insulated solution tanks
- Incalloy water heating elements
- Automatic water level control with inlet filter
- Stainless steel wash and rinse strainer baskets (500µm)
- Stainless steel wash and rinse in-line cartridge filters (10 -100µm)
- Integral wash oil separator
- High velocity hot air dry
- Rotation, oscillation and stationary wash options
- PLC controlled with operator HMI display
- Ethernet and I/O link compatible
- Automatic process door with viewing window

## Optional Equipment

- Ultrasonics - 25 or 40 kHz, up to 30 W/litre
- Vacuum drying
- Rotational direct jetting system (MWX400 only)
- Automatic wash and rinse chemical dosing units
- Demineralised water cylinders, meter and alarm
- Aqua-Save wash and rinse water recycling system
- Wash baskets, containers and fixtures
- Roller conveyors, powered conveyors, manual or automated load tables, integration to customer automation.

## THE CHOICE OF THE WORLD'S LEADING ENGINEERS...

MecWash systems are supplied and supported around the world, either direct from the UK, or through a network of agents and distributors, with installations in the USA, Canada, Mexico, China, India, Singapore, Thailand, Indonesia, Australia and throughout Europe.

Customers include Rolls-Royce, ZF TRW, BorgWarner, JCB, Parker Hannifin, Perkins, Collins, Pall, Eaton, Renishaw, Jaguar Land Rover, Pratt & Whitney, Cummins and Triumph Motorcycles. These blue chip companies are not only leading organisations within their fields, they are also part of a track record of which we are proud. It is our deep knowledge of the process, chemistry and technology of aqueous component cleaning which provides valued, tangible benefits that our customers worldwide readily acknowledge.



## MECWASH SYSTEMS LIMITED

64 Hundred, Severn Drive  
Tewkesbury Business Park

Tewkesbury, Gloucestershire  
GL20 8SF, UK

Tel +44 (0)1684 271600  
Fax +44 (0)1684 271601

Email [enquire@mecwash.co.uk](mailto:enquire@mecwash.co.uk)  
Web site [www.mecwash.com](http://www.mecwash.com)